



Jay Lilly  
Thompson Turner Construction Co.  
100 N. Main Street  
Sumter, SC 29150

RE: EWO – Olympic Steel (S20A0480A)

Mr. Lilly:

Nucor Building Systems has completed an engineering analysis of existing Nucor job #S08A0480A. The EWO included investigating the impacts of updating the building code to IBC 2018. The follow loads are as follows:

Live Load is 20psf reducible.

Wind Speed is 122 MPH, wind exposure is B

Ground Snow is 10 psf, Snow exposure (Ce) is 1.0, Thermal Coefficient (Ct) is 1.0

Occupancy Category II

Building use 3A

Primary and Secondary Collateral load is 5psf

Seismic values:  $S_s = 0.370$  and  $S_1 = 0.125$ , Site Class C.

This analysis is only for the material that is about to be erected. When and if the future expansion is to occur, an additional engineering investigation will need to be completed.

The following modifications must be made:

- 1) Frame lines 10-18 will require the following reinforcements:
  - a. The column flanges on lines E, J, and P will required cover plates.
  - b. The stiffeners in the fixed base connection will be field cut back to allow the cover plates to extend to the base plate.
  - c. The moment connections above the columns on lines E, J, and P will require bearing stiffener reinforcements.
  - d. (2) Endplates per frame (10 total) will require bolt replacements.
  - e. See pages 3-5, and 10 for the fieldwork required.
- 2) Frame lines 1&3 will require the following reinforcements:
  - a. The column flanges on line N will required cover plates.
  - b. The stiffeners in the fixed base connection will be field cut back to allow the cover plates to extend to the base plate.
  - c. See pages 6-7, and 10 for the field work required.
- 3) Frame lines 5-8 will require the following reinforcements:
  - a. The column flanges on lines E, J, and P will required cover plates.
  - b. The stiffeners in the fixed base connection will be field cut back to allow the cover plates to extend to the base plate.



- c. The moment connections above the columns on lines E, J, and P will require bearing stiffener reinforcements and additional holes will be field drilled into the connection for the attachment of additional bolts.
  - d. (2) Endplates per frame (10 total) will require bolt replacements.
  - e. See pages 8-10 for the fieldwork required.
- 4) A separate submittal from Vulcraft will be sent at a later date with the investigation results for the roof joist.

Specified plate materials must be  $F_y=55$  ksi. Please contact your project coordinator, Mike Baker, for pricing and schedule if you would like to purchase these materials from Nucor Building Systems.

Please note that all field welding must be performed by AWS qualified welders for the processes and positions indicated in all details used for this EWO. Weld electrodes used for the SMAW (or stick) weld process must be of 70 ksi steel and low hydrogen content.

All dimensions not listed for bolted connections shall meet AISC minimum edge distances and standard bolt gages.

A325 & A490 Bolt tightening requirements:

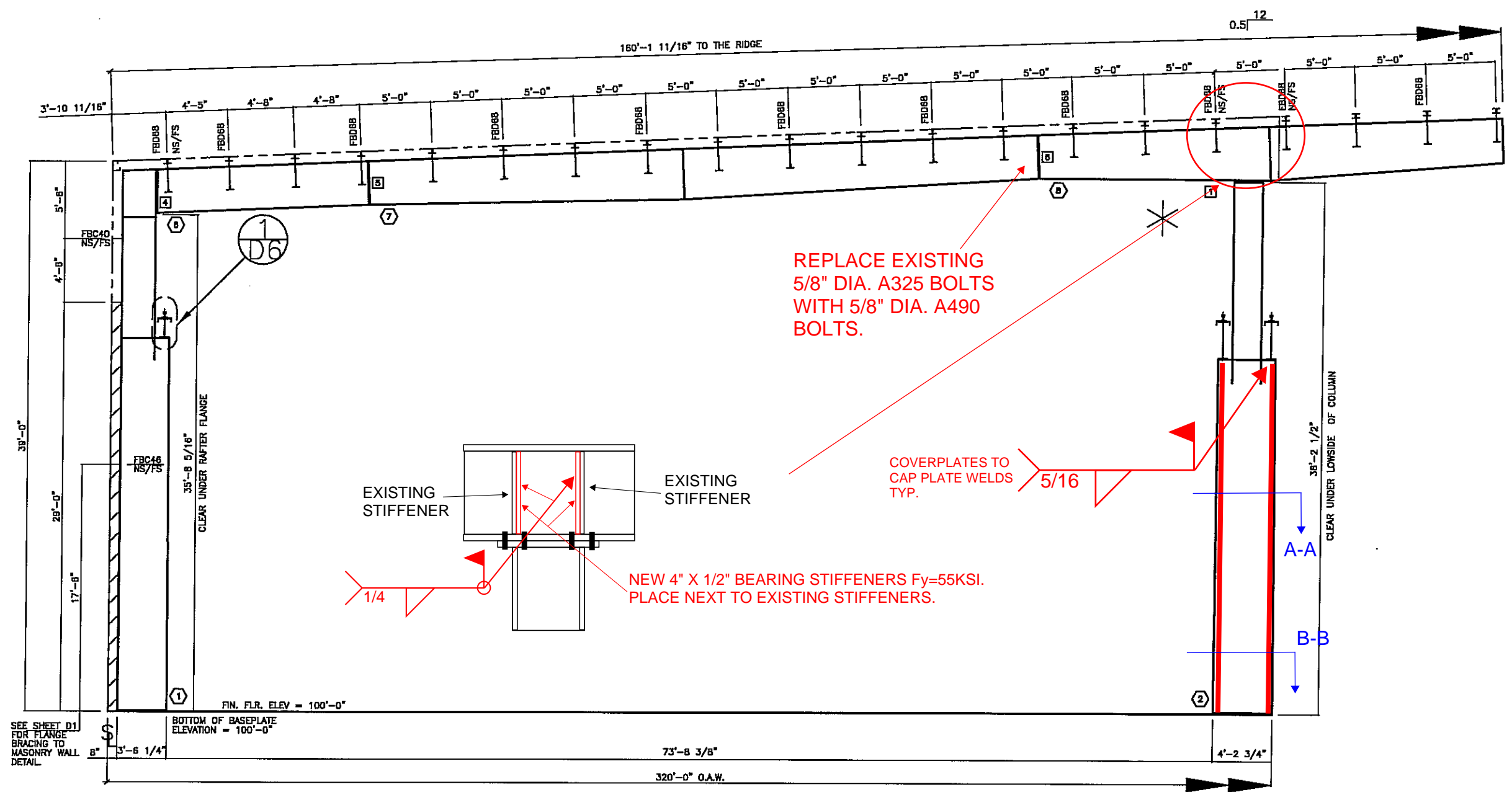
It is the responsibility of the erector to ensure proper bolt tightness in accordance with applicable regulations. See the RCSC Specification for Structural Joints Using A325 or A490 Bolts or CAN/CSA S16 "Limit States Design of Steel Structures" for more information.

If you have any questions or concerns, please feel free to give me a call at (803) 381-9375.

Sincerely,

Chris DeClue, P.E.\*  
Project Engineer  
\*Registered in SC

PER EWO- OLYMPIC STEEL  
JOB #: S20A0480A  
DATE: 6/17/2020



**CROSS SECTION @ LINES 10-18**

PER EWO- OLYMPIC STEEL  
 JOB #: S20A0480A  
 DATE: 6/17/2020

**NOTES:**

- 1) FOR COLUMN AND RAFTER MARK NUMBERS, SEE SHEETS E7-EB (MARK NUMBER PLAN).
- 2) FBC\_\_\_ INDICATES FLANGE BRACING LOCATIONS. FBD\_\_\_ INDICATES FLANGE BRACING LOCATIONS ON JOIST ROOFS.
- 3) NS/FS INDICATES THAT FLANGE BRACING IS REQUIRED ON BOTH SIDES OF THE FRAME LINE. NOTE FOR EXPANDABLE ENDWALL RIGID FRAMES: IF FLANGE BRACING IS REQUIRED ON BOTH SIDES OF AN EXPANDABLE ENDFRAME, THE OPPOSITE SIDE FLANGE BRACE WILL HAVE TO BE INSTALLED AT THE TIME OF EXPANSION. THESE FLANGE BRACES HAVE BEEN PROVIDED, AS REQUIRED, FOR THIS FUTURE CONDITION.
- 4) IF NS/FS FLANGE BRACING IS NOT INDICATED, ONLY ONE FLANGE BRACE IS REQUIRED AND CAN BE LOCATED ON EITHER SIDE OF THE FRAME.
- 5) "\*" INDICATES THE LONG SIDE OF THE INTERIOR COLUMNS. IF THE INTERIOR COLUMNS ARE REQUIRED, ORIENT AND ERECT THOSE COLUMNS ACCORDINGLY.
- 6) RIGID FRAMES SHALL HAVE 50% OF THEIR BOLTS INSTALLED AND TIGHTENED ON BOTH SIDES OF THE WEB ADJACENT TO EACH FLANGE BEFORE THE HOISTING EQUIPMENT IS RELEASED.

**BOLT SCHEDULE**

CON ID	BOLT QTY	BOLT DESCRIPTION	BOLT PART#	NUT PART#
1	8	BOLT/NUT 5/8" x 2 1/4" A325	HO810	HO310
4	8	BOLT/NUT 1" x 3 1/4" A325	HO840	HO330
5	8	BOLT/NUT 5/8" x 2 1/4" A325	HO810	HO310
6	8	BOLT/NUT 5/8" x 2 1/4" A325	HO810	HO310

MBR ID	LOW PLATE		HIGH PLATE		OUTSIDE FLANGE		INSIDE FLANGE		MEMBER WEB		
	WIDTH	THICK	WIDTH	THICK	WIDTH	THICK	WIDTH	THICK	DEPTH1	LENGTH DEPTH2	
1	12.00	1.00	12.00	0.63	12.00	0.50	458.94	12.00	0.50	421.94	41.25 0.25 286.53 41.25 41.25 0.25 30.00 28.75 28.75 0.22 102.61 28.75 28.75 0.31 39.50 28.75
2	12.00	1.25	12.00	1.25	12.00	0.75	304.06	12.00	0.75	312.94	49.25 0.25 274.06 49.25 49.25 0.25 30.00 24.50 24.50 0.19 147.44 24.50 37.00 0.38 178.63 37.00
6	8.00	0.75	8.00	0.38	8.00	0.38	178.63	8.00	0.38	180.19	37.00 0.25 284.00 43.00 43.00 0.28 299.25 37.00
7	8.00	0.38	8.00	0.38	8.00	0.38	563.25	8.00	0.25	563.38	37.00 0.38 185.56 45.88 45.88 0.38 199.44 38.00
8	8.00	0.50	8.00	0.50	8.00	0.38	395.00	8.00	0.50	395.31	

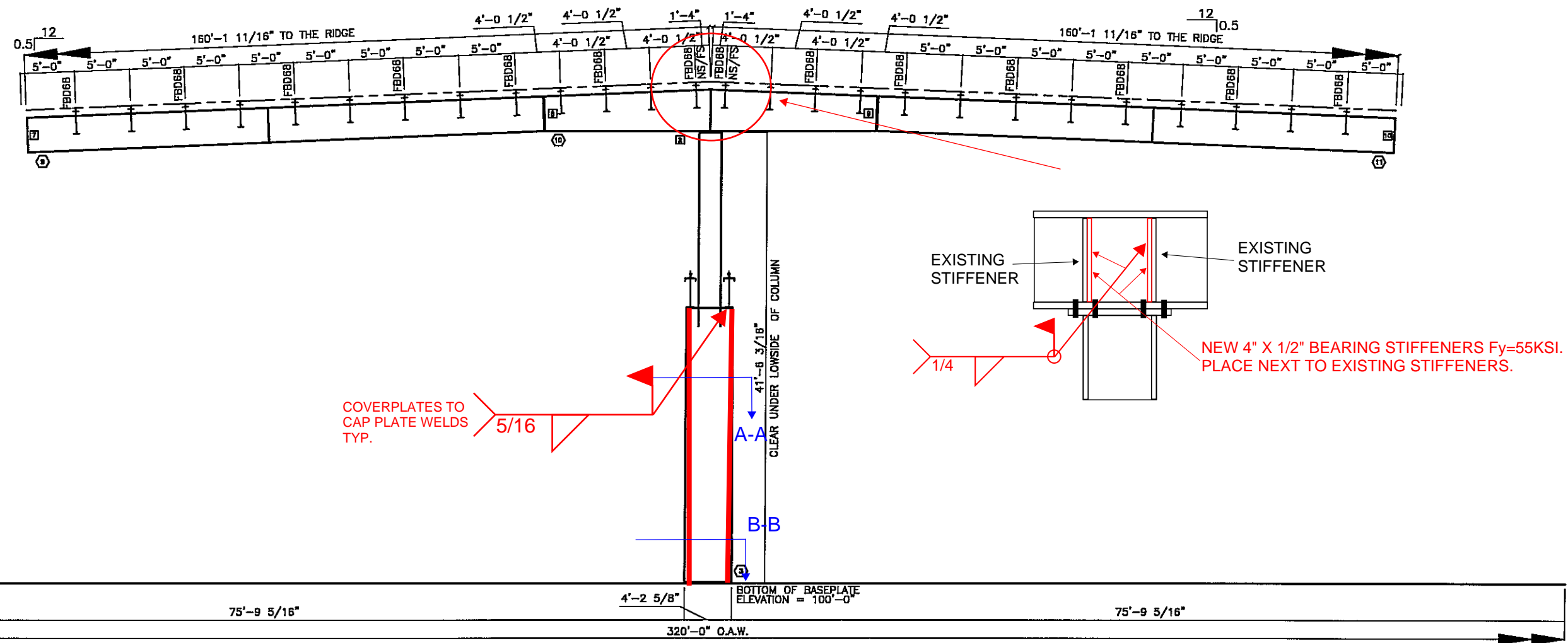
DATE	5/23/08
P.E.	JET
ENG.	JET
CHK.	JET
DWN.	JH/MS
ISSUE	NS/FS
PERMITS	
APPROVALS	
CRANE CONFIRMATIONS	
FINAL ERECTION	DB/MS/BJ/AL/JEA
DATE	8/20/08

**NUCOR BUILDING SYSTEMS**  
 PO BOX 1006, 200 WHESTONE RD.  
 SWANSEA, SC 29160  
 PHONE: (803) 568-2100  
 FAX: (803) 568-2121

PROJECT NAME: OLYMPIC STEEL  
 SUMTER, SC  
 CUSTOMER: THOMPSON TURNER CONSTRUCTION CO.  
 SUMTER, SC

JOB NUMBER: S08A0248A  
 SHEET NO: E12 of 48

THIS SEAL PERTAINS ONLY TO THE MATERIALS DESIGNED AND SUPPLIED BY NUCOR BUILDING SYSTEMS, A DIVISION OF NUCOR CORPORATION. THE DRAWINGS AND THE METAL BUILDING WHICH THEY REPRESENT ARE THE PRODUCT OF NUCOR BUILDING SYSTEMS, THE REGISTERED PROFESSIONAL ENGINEER WHOSE SEAL APPEARS ON THESE DRAWINGS IS EMPLOYED BY NUCOR BUILDING SYSTEMS AND DOES NOT SERVE AS OR REPRESENT THE PROJECT ENGINEER OF RECORD AND SHALL NOT BE CONSTRUED AS SUCH.



CROSS SECTION @ LINES 10-18

PER EWO- OLYMPIC STEEL  
JOB #: S20A0480A  
DATE: 6/17/2020

FOR CONSTRUCTION  
THIS IS NOT AN APPROVAL SET.  
AUG 20 2008  
YOUR BUILDING IS BEING FABRICATED.  
NO CHANGES CAN BE MADE

MBR ID	LOW PLATE		HIGH PLATE		OUTSIDE FLANGE		INSIDE FLANGE		MEMBER WEB					
	WIDTH	THICK	WIDTH	THICK	WIDTH	THICK	WIDTH	THICK	DEPTH1	THICK	LENGTH	DEPTH2		
9	8.00	0.38	8.00	0.50	8.00	0.31	563.13	8.00	0.25	563.13	38.00	0.28	284.00	38.00
											45.44	0.38	177.81	45.44
10	8.00	0.50	8.00	0.50	8.00	0.50	355.83	8.00	0.31	359.00	38.00	0.31	299.13	38.00
											49.38	0.25	274.08	49.38
11	8.00	0.38	8.00	0.50	8.00	0.31	563.13	8.00	0.25	563.13	38.00	0.28	264.00	38.00
											49.38	0.25	274.08	49.38
3	12.00	1.25	12.00	1.25	12.00	0.83	304.08	12.00	0.83	313.89	49.38	0.25	30.00	23.50
											23.50	0.25	187.00	23.50

NOTES:

- 1) FOR COLUMN AND RAFTER MARK NUMBERS, SEE SHEETS E7-EB (MARK NUMBER PLAN).
  - 2) FBC\_\_\_ INDICATES FLANGE BRACING LOCATIONS. FBD\_\_\_ INDICATES FLANGE BRACING LOCATIONS ON JOIST ROOFS.
  - 3) NS/FS INDICATES THAT FLANGE BRACING IS REQUIRED ON BOTH SIDES OF THE FRAME LINE. NOTE FOR EXPANDABLE ENDWALL RIGID FRAMES: IF FLANGE BRACING IS REQUIRED ON BOTH SIDES OF AN EXPANDABLE ENDFRAME, THE OPPOSITE SIDE FLANGE BRACE WILL HAVE TO BE INSTALLED AT THE TIME OF EXPANSION. THESE FLANGE BRACES HAVE BEEN PROVIDED, AS REQUIRED, FOR THIS FUTURE CONDITION.
  - 4) IF NS/FS FLANGE BRACING IS NOT INDICATED, ONLY ONE FLANGE BRACE IS REQUIRED AND CAN BE LOCATED ON EITHER SIDE OF THE FRAME.
  - 5) "\*" INDICATES THE LONG SIDE OF THE INTERIOR COLUMNS. IF THE INTERIOR COLUMNS ARE REQUIRED, ORIENT AND ERECT THOSE COLUMNS ACCORDINGLY.
- NOTE: COLUMNS LOCATED AT THE RIDGE ARE TYPICALLY "FLAT-TOP" COLUMNS, UNLESS INDICATED BY THE "\*" SYMBOL.
- 6) RIGID FRAMES SHALL HAVE 50% OF THEIR BOLTS INSTALLED AND TIGHTENED ON BOTH SIDES OF THE WEB ADJACENT TO EACH FLANGE BEFORE THE HOISTING EQUIPMENT IS RELEASED.

BOLT SCHEDULE				
CON ID	BOLT QTY	BOLT DESCRIPTION	BOLT PART#	NUT PART#
2	8	BOLT/NUT 5/8" x 2 1/4" A325	H0610	H0310
7	8	BOLT/NUT 5/8" x 2 1/4" A325	H0610	H0310
8	8	BOLT/NUT 5/8" x 2 1/4" A325	H0610	H0310
9	8	BOLT/NUT 5/8" x 2 1/4" A325	H0610	H0310
10	8	BOLT/NUT 5/8" x 2 1/4" A325	H0610	H0310

ISSUE	DATE	ENG	P.L.E.
PERMITS	5/23/08	JET	
APPROVALS	5/23/08	JET	
CRANE CONFIRMATIONS	5/23/08	JET	
FINAL ERECTION	8/20/08	JET	

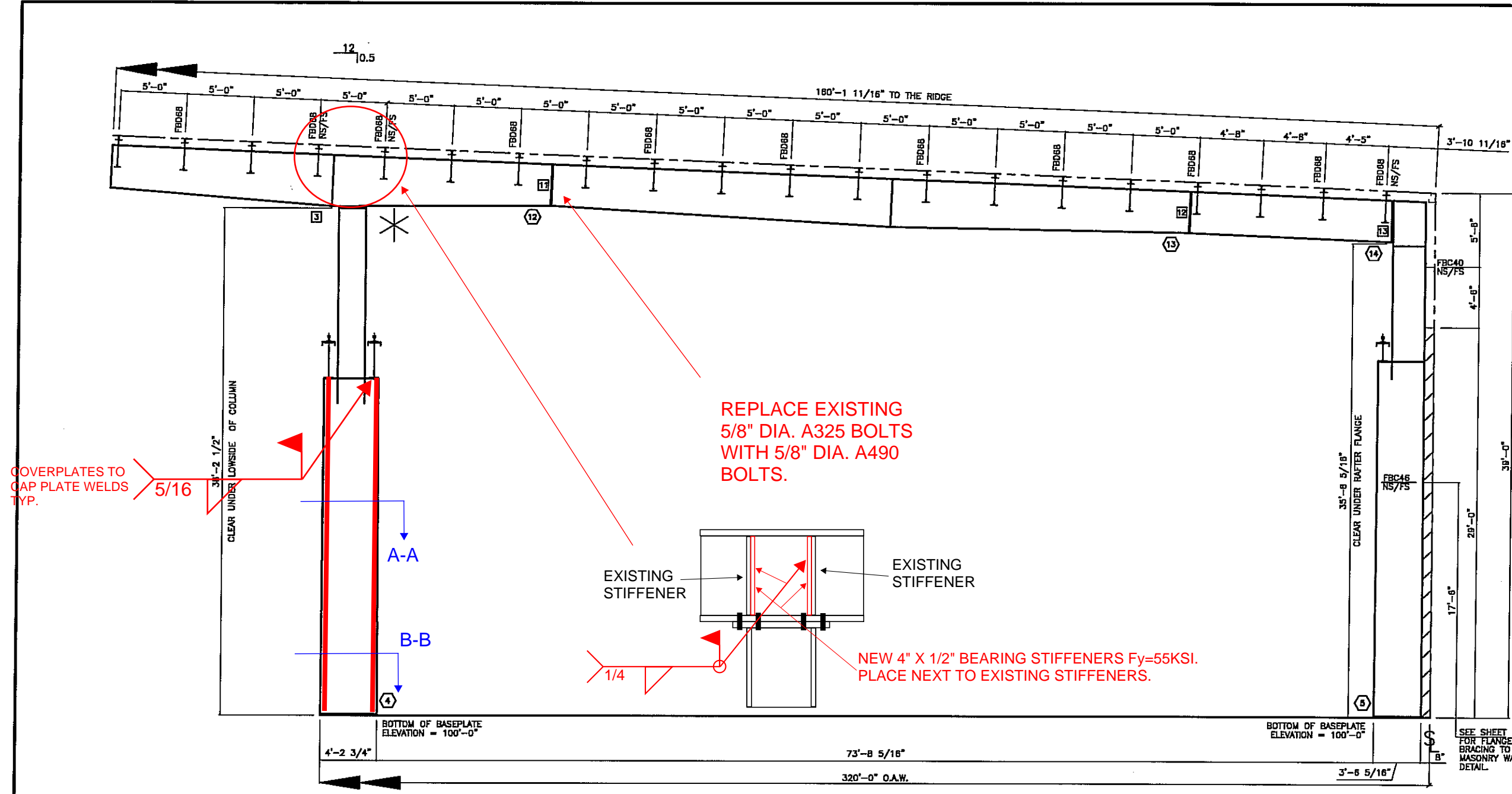
**NUCOR BUILDING SYSTEMS**  
PO BOX 1006, 200 WHELSTONE RD.  
SWANSEA, SC 29160  
PHONE: (803) 568-2100  
FAX: (803) 568-2121

PROJECT NAME: OLYMPIC STEEL  
SUMTER, SC  
CUSTOMER: THOMPSON TURNER CONSTRUCTION CO.  
SUMTER, SC

JOB NUMBER: SOBA0248A

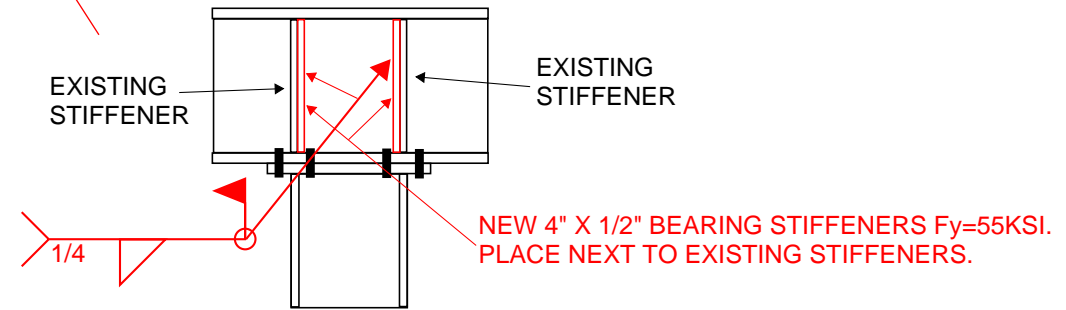
SHEET NO: E13 of 48

THIS SEAL PERTAINS ONLY TO THE MATERIALS DESIGNED AND SUPPLIED BY NUCOR BUILDING SYSTEMS. A DIVISION OF NUCOR CORPORATION. THE DRAWINGS AND THE METAL BUILDING WHICH THEY REPRESENT ARE THE PRODUCT OF NUCOR BUILDING SYSTEMS. THE REGISTERED PROFESSIONAL ENGINEER WHOSE SEAL APPEARS ON THESE DRAWINGS IS EMPLOYED BY NUCOR BUILDING SYSTEMS AND DOES NOT SERVE AS OR REPRESENT THE PROJECT ENGINEER OF RECORD AND SHALL NOT BE CONSIDERED AS SUCH.



COVERPLATES TO GAP PLATE WELDS TYP. 5/16

REPLACE EXISTING 5/8" DIA. A325 BOLTS WITH 5/8" DIA. A490 BOLTS.



CROSS SECTION @ LINES 10-18

FOR CONSTRUCTION SET. AUG 20 2008

PER EWO-OLYMPIC STEEL JOB #: S20A0480A DATE: 6/17/2020

YOUR BUILDING IS BEING FABRICATED. NO CHANGES CAN BE MADE.

MBR ID#	LOW PLATE		HIGH PLATE		OUTSIDE FLANGE		INSIDE FLANGE		MEMBER WEB							
	WIDTH	THICK	WIDTH	THICK	WIDTH	THICK	WIDTH	THICK	DEPTH1	THICK	LENGTH	DEPTH2				
12	8.00	0.50	8.00	0.50	8.00	0.38	395.00	8.00	0.50	395.31	37.00	0.38	195.58	45.88		
													45.88	0.38	199.44	38.00
13	8.00	0.38	8.00	0.38	8.00	0.38	583.25	8.00	0.25	583.38	37.00	0.25	284.00	43.00		
													43.00	0.28	299.25	37.00
14	8.00	0.75	8.00	0.38	8.00	0.38	178.63	8.00	0.38	180.19	37.00	0.31	178.63	37.00		
4	12.00	1.25	12.00	1.25	12.00	0.75	304.08	12.00	0.75	312.94	49.25	0.25	274.08	49.25		
													49.25	0.25	30.00	24.50
													24.50	0.19	147.44	24.50
5	12.00	1.00	12.00	0.83	12.00	0.50	459.00	12.00	0.83	319.63	41.19	0.25	287.13	41.19		
													41.19	0.25	30.00	28.75
													28.75	0.22	102.38	28.75
													28.75	0.31	39.50	28.75

NOTES:

- FOR COLUMN AND RAFTER MARK NUMBERS, SEE SHEETS E7-EB (MARK NUMBER PLAN).
  - FBC\_\_\_ INDICATES FLANGE BRACING LOCATIONS. FBD\_\_\_ INDICATES FLANGE BRACING LOCATIONS ON JOIST ROOFS.
  - NS/FS INDICATES THAT FLANGE BRACING IS REQUIRED ON BOTH SIDES OF THE FRAME LINE. NOTE FOR EXPANDABLE ENDWALL RIGID FRAMES: IF FLANGE BRACING IS REQUIRED ON BOTH SIDES OF AN EXPANDABLE ENDFRAME, THE OPPOSITE SIDE FLANGE BRACE WILL HAVE TO BE INSTALLED AT THE TIME OF EXPANSION. THESE FLANGE BRACES HAVE BEEN PROVIDED, AS REQUIRED, FOR THIS FUTURE CONDITION.
  - IF NS/FS FLANGE BRACING IS NOT INDICATED, ONLY ONE FLANGE BRACE IS REQUIRED AND CAN BE LOCATED ON EITHER SIDE OF THE FRAME.
  - "\*" INDICATES THE LONG SIDE OF THE INTERIOR COLUMNS. IF THE INTERIOR COLUMNS ARE REQUIRED, ORIENT AND ERECT THOSE COLUMNS ACCORDINGLY.
- NOTE: COLUMNS LOCATED AT THE RIDGE ARE TYPICALLY "FLAT-TOP" COLUMNS, UNLESS INDICATED BY THE "\*" SYMBOL.
- 6) RIGID FRAMES SHALL HAVE 50% OF THEIR BOLTS INSTALLED AND TIGHTENED ON BOTH SIDES OF THE WEB ADJACENT TO EACH FLANGE BEFORE THE HOISTING EQUIPMENT IS RELEASED.

BOLT SCHEDULE

CON ID#	BOLT QTY	BOLT DESCRIPTION	BOLT PART#	NUT PART#
3	B	BOLT/NUT 5/8" x 2 1/4" A325	H0610	H0310
11	B	BOLT/NUT 5/8" x 2 1/4" A325	H0610	H0310
12	B	BOLT/NUT 5/8" x 2 1/4" A325	H0610	H0310
13	B	BOLT/NUT 1" x 3 1/4" A325	H0640	H0330

ISSUE	DATE
PERMITS	5/23/08
APPROVALS	5/23/08
CRANE CONFIRMATIONS	5/23/08
FINAL ERECTION	6/20/08

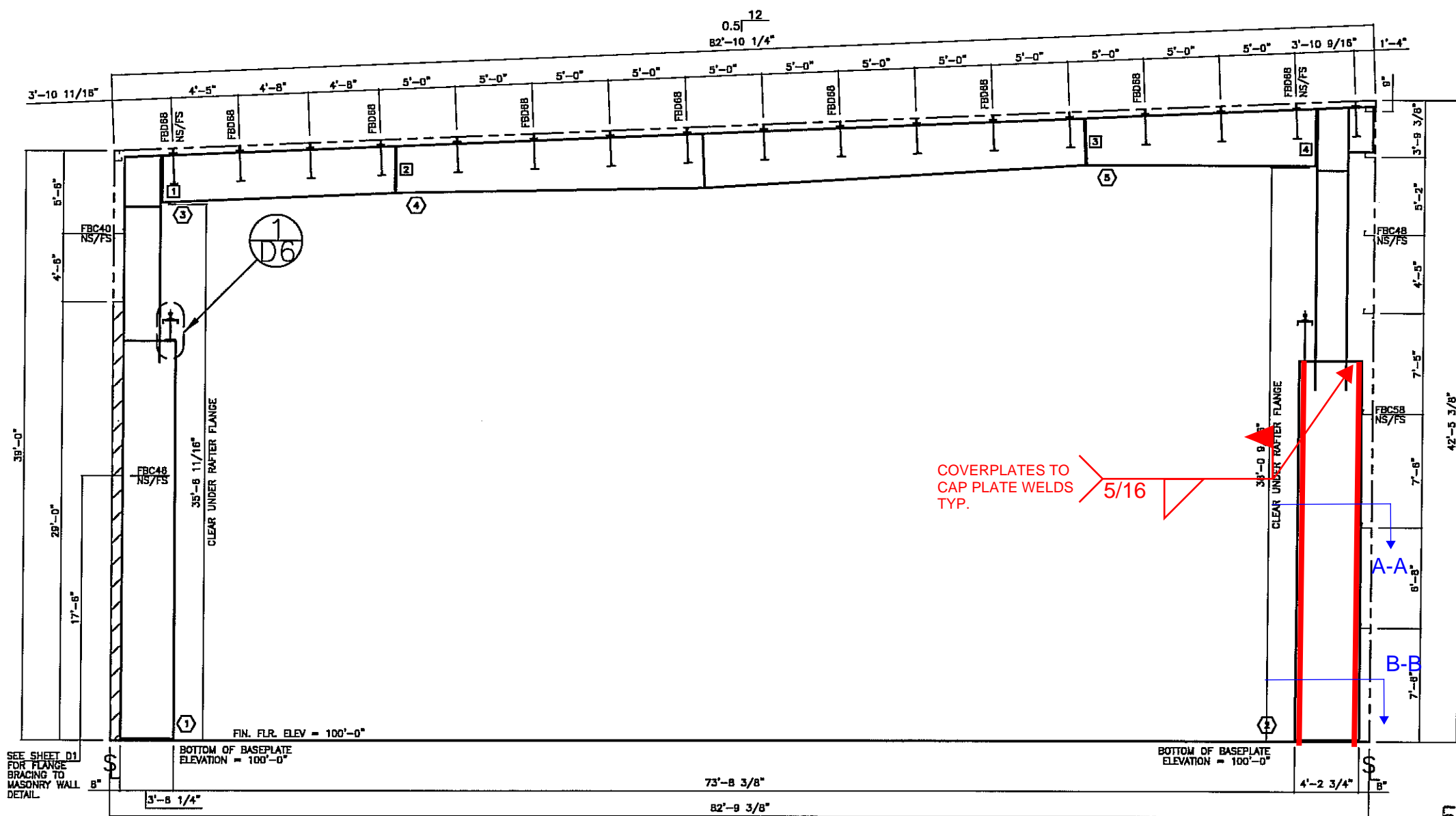
**NUCOR BUILDING SYSTEMS**  
 PO BOX 1006, 200 WHELSTONE RD.  
 SWANSEA, SC 29160  
 PHONE: (803) 568-2100  
 FAX: (803) 568-2121

PROJECT NAME: OLYMPIC STEEL  
 SUMTER, SC  
 CUSTOMER: THOMPSON TURNER CONSTRUCTION CO.  
 SUMTER, SC

JOB NUMBER: S08A0248A

SHEET NO: E14 of 48

THIS SEAL PERTAINS ONLY TO THE MATERIALS DESIGNED AND SUPPLIED BY NUCOR BUILDING SYSTEMS, A DIVISION OF NUCOR CORPORATION. THE DRAWINGS AND THE METAL BUILDING WHICH THEY REPRESENT ARE THE PRODUCT OF NUCOR BUILDING SYSTEMS. THE REGISTERED PROFESSIONAL ENGINEER WHOSE SEAL APPEARS ON THESE DRAWINGS IS EMPLOYED BY NUCOR BUILDING SYSTEMS AND DOES NOT SERVE AS OR REPRESENT THE PROJECT ENGINEER OF RECORD AND SHALL NOT BE CONSTRUED AS SUCH.



COVERPLATES TO CAP PLATE WELDS TYP. 5/16

**CROSS SECTION @ LINES 1&3**

PER EWO- OLYMPIC STEEL  
JOB #: S20A0480A  
DATE: 6/17/2020

FOR CONSTRUCTION  
THIS IS NOT AN APPROVAL  
AUG 20 2008  
YOUR BUILDING IS BEING FABRICATED  
NO CHANGES CAN BE MADE

MBR ID	LOW PLATE		HIGH PLATE		OUTSIDE FLANGE		INSIDE FLANGE		MEMBER WEB					
	WIDTH	THICK	WIDTH	THICK	WIDTH	THICK	WIDTH	THICK	LENGTH	DEPTH1	THICK	LENGTH	DEPTH2	
1	12.00	1.25	12.00	0.63	12.00	0.50	461.69	12.00	0.50	424.69	41.25	0.25	286.63	41.25
2	12.00	1.25	12.00	0.63	12.00	0.75	304.06	12.00	0.75	312.94	49.25	0.25	274.06	49.25
							197.81	12.00	0.50	148.00	41.25	0.25	30.00	28.75
							28.75	0.22	105.56	28.75				
							28.75	0.28	39.50	28.75				
3	8.00	0.75	8.00	0.38	8.00	0.38	184.69	8.00	0.38	184.69	37.00	0.28	184.69	37.00
							539.19	8.00	0.25	540.68	43.00	0.25	240.00	43.00
4	8.00	0.38	8.00	0.38	8.00	0.38	183.19	8.00	0.50	181.44	43.00	0.28	299.19	37.00
							183.19	8.00	0.50	181.44	37.00	0.38	183.19	45.00

**NOTES:**

- FOR COLUMN AND RAFTER MARK NUMBERS, SEE SHEET E10 (MARK NUMBER PLAN).
  - FBC\_\_\_ INDICATES FLANGE BRACING LOCATIONS. FBD\_\_\_ INDICATES FLANGE BRACING LOCATIONS ON JOIST ROOFS.
  - NS/FS INDICATES THAT FLANGE BRACING IS REQUIRED ON BOTH SIDES OF THE FRAME LINE. NOTE FOR EXPANDABLE ENDWALL RIGID FRAMES: IF FLANGE BRACING IS REQUIRED ON BOTH SIDES OF AN EXPANDABLE ENDFRAME, THE OPPOSITE SIDE FLANGE BRACE WILL HAVE TO BE INSTALLED AT THE TIME OF EXPANSION. THESE FLANGE BRACES HAVE BEEN PROVIDED, AS REQUIRED, FOR THIS FUTURE CONDITION.
  - IF NS/FS FLANGE BRACING IS NOT INDICATED, ONLY ONE FLANGE BRACE IS REQUIRED AND CAN BE LOCATED ON EITHER SIDE OF THE FRAME.
  - "\*" INDICATES THE LONG SIDE OF THE INTERIOR COLUMNS. IF THE INTERIOR COLUMNS ARE REQUIRED, ORIENT AND ERECT THOSE COLUMNS ACCORDINGLY.
- NOTE: COLUMNS LOCATED AT THE RIDGE ARE TYPICALLY "FLAT-TOP" COLUMNS, UNLESS INDICATED BY THE "\*" SYMBOL.
- 6) RIGID FRAMES SHALL HAVE 50% OF THEIR BOLTS INSTALLED AND TIGHTENED ON BOTH SIDES OF THE WEB ADJACENT TO EACH FLANGE BEFORE THE HOISTING EQUIPMENT IS RELEASED.

**BOLT SCHEDULE**

CON ID	BOLT QTY	BOLT DESCRIPTION	BOLT PART#	NUT PART#
1	8	BOLT/NUT 1" x 3 1/4" A325	HQB4Q	HQ330
2	8	BOLT/NUT 5/8" x 2 1/4" A325	HQB10	HQ310
3	8	BOLT/NUT 5/8" x 2 1/4" A325	HQB10	HQ310
4	8	BOLT/NUT 1 1/4" x 3 1/2" A325	HQB80	HQ340

**NUCOR BUILDING SYSTEMS**  
PO BOX 1006, 200 WHELISTONE RD.  
SWANSEA, SC 29160  
PHONE: (803) 568-2100  
FAX: (803) 568-2121

PROJECT: OLYMPIC STEEL  
SUMTER, SC  
CUSTOMER: THOMPSON TURNER CONSTRUCTION CO.  
SUMTER, SC

JOB NUMBER: S08A0248A  
SHEET NO: E15 of 48

DATE: 5/23/08  
DATE: 5/23/08  
DATE: 5/23/08  
DATE: 8/20/08

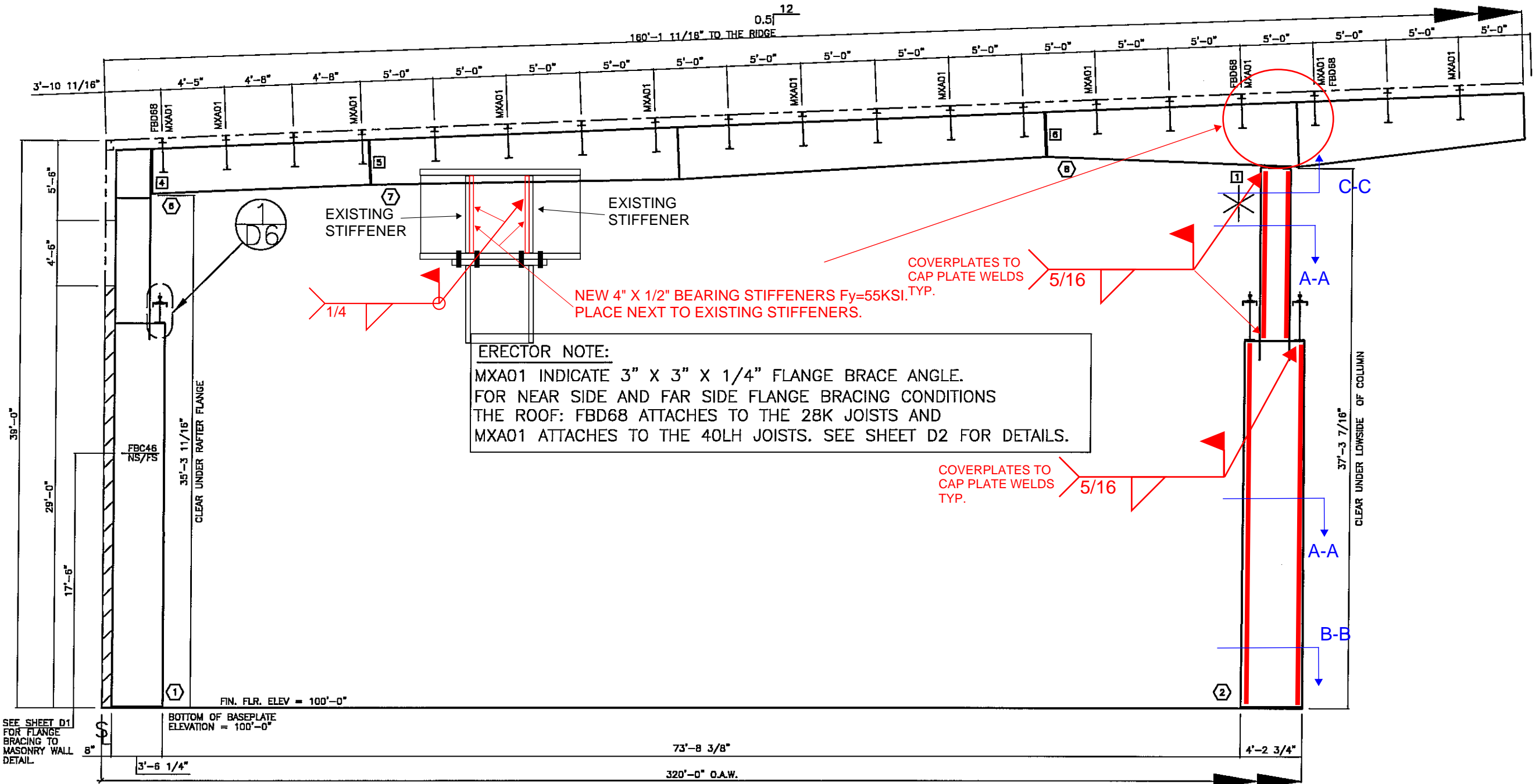
ISSUE: PERMITS, APPROVALS, CRANE CONFIRMATIONS, FINAL ERECTION

DATE: 5/23/08  
DATE: 5/23/08  
DATE: 5/23/08  
DATE: 8/20/08

DATE: 5/23/08  
DATE: 5/23/08  
DATE: 5/23/08  
DATE: 8/20/08

DATE: 5/23/08  
DATE: 5/23/08  
DATE: 5/23/08  
DATE: 8/20/08

THIS SEAL PERTAINS ONLY TO THE MATERIALS DESIGNED AND SUPPLIED BY NUCOR BUILDING SYSTEMS, A DIVISION OF NUCOR CORPORATION. THE DRAWINGS AND THE METAL BUILDING WHICH THEY REPRESENT ARE THE PRODUCT OF NUCOR BUILDING SYSTEMS. THE REGISTERED PROFESSIONAL ENGINEER WHOSE SEAL APPEARS ON THESE DRAWINGS IS EMPLOYED BY NUCOR BUILDING SYSTEMS AND DOES NOT SERVE AS OR REPRESENT THE PROJECT ENGINEER OF RECORD AND SHALL NOT BE CONSIDERED AS SUCH.



**ERECTOR NOTE:**  
 MXA01 INDICATE 3" X 3" X 1/4" FLANGE BRACE ANGLE.  
 FOR NEAR SIDE AND FAR SIDE FLANGE BRACING CONDITIONS  
 THE ROOF: FBD68 ATTACHES TO THE 28K JOISTS AND  
 MXA01 ATTACHES TO THE 40LH JOISTS. SEE SHEET D2 FOR DETAILS.

**CROSS SECTION @ LINES 5 & 8**

**FOR CONSTRUCTION  
 THIS IS NOT AN APPROVAL SET.**

**PER EWO-OLYMPIC STEEL  
 JOB #: S20A0480A  
 DATE: 6/17/2020**

**AUG 20 2008  
 YOUR BUILDING IS BEING FABRICATED.  
 NO CHANGES CAN BE MADE.**

MEMBER ID	LOW PLATE		HIGH PLATE		OUTSIDE FLANGE		INSIDE FLANGE		MEMBER WEB				
	WIDTH	THICK	WIDTH	THICK	WIDTH	THICK	WIDTH	THICK	DEPTH1	THICK	LENGTH	DEPTH2	
1	12.00	1.00	12.00	0.63	12.00	0.50	459.00	12.00	0.50	41.25	0.25	289.31	41.25
					12.00	0.50	143.00	12.00	0.50	41.25	0.25	30.00	28.63
					12.00	0.75	301.88	12.00	0.75	28.63	0.22	100.19	28.63
					12.00	0.50	144.19	12.00	0.50	28.63	0.28	39.50	28.63
2	12.00	1.00	12.00	0.50	12.00	0.75	301.88	12.00	0.75	49.25	0.25	271.88	49.25
					12.00	0.50	143.00	12.00	0.50	49.25	0.25	30.00	24.50
					12.00	0.75	301.88	12.00	0.75	24.50	0.18	143.00	24.50
3	8.00	0.75	8.00	0.38	8.00	0.38	178.75	8.00	0.38	37.00	0.31	178.75	37.00
					8.00	0.50	551.13	8.00	0.25	37.00	0.25	252.08	43.00
					8.00	0.38	178.75	8.00	0.31	43.00	0.28	289.13	37.00
4	8.00	0.50	8.00	0.50	8.00	0.38	384.94	8.00	0.50	37.00	0.38	207.25	53.50
					8.00	0.38	178.75	8.00	0.38	53.50	0.38	187.89	38.00

**NOTES:**

- FOR COLUMN AND RAFTER MARK NUMBERS, SEE SHEETS E7-EB (MARK NUMBER PLAN).
  - FBC\_\_\_ INDICATES FLANGE BRACING LOCATIONS. FBD\_\_\_ INDICATES FLANGE BRACING LOCATIONS ON JOIST ROOFS.
  - NS/FS INDICATES THAT FLANGE BRACING IS REQUIRED ON BOTH SIDES OF THE FRAME LINE. NOTE FOR EXPANDABLE ENDWALL RIGID FRAMES: IF FLANGE BRACING IS REQUIRED ON BOTH SIDES OF AN EXPANDABLE ENDFRAME, THE OPPOSITE SIDE FLANGE BRACE WILL HAVE TO BE INSTALLED AT THE TIME OF EXPANSION. THESE FLANGE BRACES HAVE BEEN PROVIDED, AS REQUIRED, FOR THIS FUTURE CONDITION.
  - IF NS/FS FLANGE BRACING IS NOT INDICATED, ONLY ONE FLANGE BRACE IS REQUIRED AND CAN BE LOCATED ON EITHER SIDE OF THE FRAME.
  - "\*" INDICATES THE LONG SIDE OF THE INTERIOR COLUMNS. IF THE INTERIOR COLUMNS ARE REQUIRED, ORIENT AND ERECT THOSE COLUMNS ACCORDINGLY.
- NOTE: COLUMNS LOCATED AT THE RIDGE ARE TYPICALLY "FLAT-TOP" COLUMNS, UNLESS INDICATED BY THE "\*" SYMBOL.
- 6) RIGID FRAMES SHALL HAVE 50% OF THEIR BOLTS INSTALLED AND TIGHTENED ON BOTH SIDES OF THE WEB ADJACENT TO EACH FLANGE BEFORE THE HOISTING EQUIPMENT IS RELEASED.

**BOLT SCHEDULE**

CON ID	BOLT QTY	BOLT DESCRIPTION	BOLT PART#	NUT PART#
1	8	BOLT/NUT 1" x 3 1/4" A325	H0840	H0330
4	8	BOLT/NUT 1" x 3 1/4" A325	H0840	H0330
5	8	BOLT/NUT 5/8" x 2 1/4" A325	H0610	H0310
6	8	BOLT/NUT 3/4" x 2 3/4" A325	H0830	H0320

THIS SEAL PERTAINS ONLY TO THE MATERIALS DESIGNED AND SUPPLIED BY NUCOR BUILDING SYSTEMS, A DIVISION OF NUCOR CORPORATION. THE DRAWINGS AND THE METAL BUILDING WHICH THEY REPRESENT ARE THE PRODUCT OF NUCOR BUILDING SYSTEMS. THE REGISTERED PROFESSIONAL ENGINEER WHOSE SEAL APPEARS ON THESE DRAWINGS IS EMPLOYED BY NUCOR BUILDING SYSTEMS AND DOES NOT SERVE AS OR REPRESENT THE PROJECT ENGINEER OF RECORD AND SHALL NOT BE CONSTRUED AS SUCH.

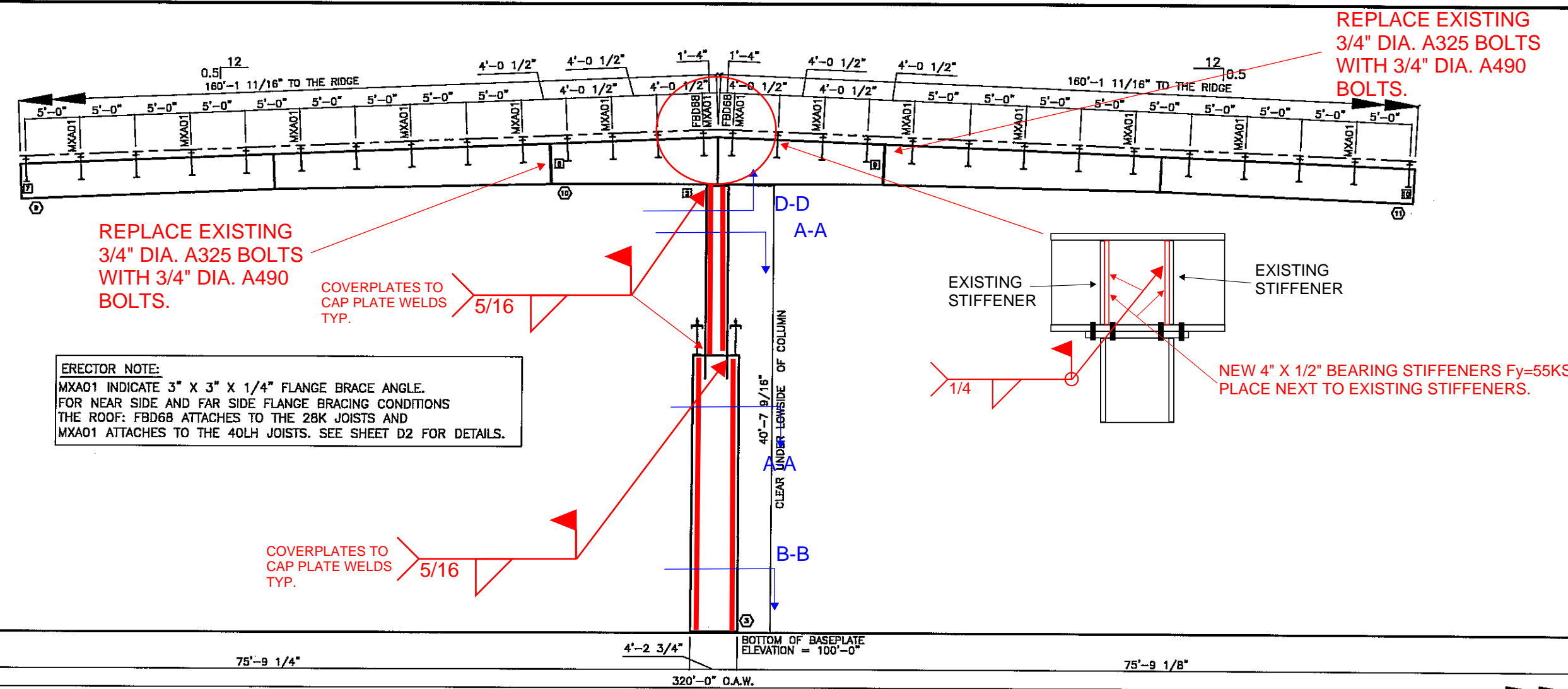
ISSUE	DATE	BY	CHK	APP
PERMITS	5/23/08	JET	JET	JET
APPROVALS	5/23/08	JET	JET	JET
CRANE CONFIRMATIONS	5/23/08	JET	JET	JET
FINAL ERECTION	8/20/08	JET	JET	JET

**NUCOR BUILDING SYSTEMS**  
 PO BOX 1006, 200 WHETSTONE RD.  
 SWANSEA, SC 29160  
 PHONE: (803) 568-2100  
 FAX: (803) 568-2121

PROJECT NAME: OLYMPIC STEEL  
 SUMTER, SC  
 CUSTOMER: THOMPSON TURNER CONSTRUCTION CO.  
 SUMTER, SC

JOB NUMBER: S08A0248A

SHEET NO: E16 of 48



REPLACE EXISTING 3/4" DIA. A325 BOLTS WITH 3/4" DIA. A490 BOLTS.

COVERPLATES TO CAP PLATE WELDS TYP. 5/16

**ERECTOR NOTE:**  
 MXA01 INDICATE 3" X 3" X 1/4" FLANGE BRACE ANGLE. FOR NEAR SIDE AND FAR SIDE FLANGE BRACING CONDITIONS THE ROOF: FBD68 ATTACHES TO THE 28K JOISTS AND MXA01 ATTACHES TO THE 40LH JOISTS. SEE SHEET D2 FOR DETAILS.

COVERPLATES TO CAP PLATE WELDS TYP. 5/16

EXISTING STIFFENER  
 EXISTING STIFFENER  
 NEW 4" X 1/2" BEARING STIFFENERS Fy=55KSI. PLACE NEXT TO EXISTING STIFFENERS.

CROSS SECTION @ LINES 5 & 8

PER EWO- OLYMPIC STEEL  
 JOB #: S20A0480A  
 DATE: 6/17/2020

FOR CONSTRUCTION THIS IS NOT AN APPROVAL SET.

AUG 20 2008

YOUR BUILDING IS BEING FABRICATED. NO CHANGES CAN BE MADE.

MEMBER ID	LOW PLATE		HIGH PLATE		OUTSIDE FLANGE		INSIDE FLANGE		MEMBER WEB					
	WIDTH	THICK	WIDTH	THICK	WIDTH	THICK	WIDTH	THICK	DEPTH1	THICK	LENGTH	DEPTH2		
8	8.00	0.38	10.00	0.38	8.00	0.38	575.25	8.00	0.31	575.31	38.00	0.28	276.00	38.00
10	8.00	0.50	8.00	0.50	8.00	0.50	355.13	8.00	0.25	359.13	38.00	0.28	289.25	44.00
11	8.00	0.38	10.00	0.38	8.00	0.38	575.25	8.00	0.31	575.31	38.00	0.28	276.00	38.00
3	12.00	1.00	12.00	0.38	12.00	0.75	361.88	12.00	0.75	311.44	48.25	0.25	271.58	49.25
					12.00	0.38	183.19	12.00	0.38	185.00	49.25	0.25	30.00	24.75
											24.75	0.19	183.19	24.75

- NOTES:**
- FOR COLUMN AND RAFTER MARK NUMBERS, SEE SHEETS E7-EB (MARK NUMBER PLAN).
  - FBC\_\_\_ INDICATES FLANGE BRACING LOCATIONS. FBD\_\_\_ INDICATES FLANGE BRACING LOCATIONS ON JOIST ROOFS.
  - NS/FS INDICATES THAT FLANGE BRACING IS REQUIRED ON BOTH SIDES OF THE FRAME LINE. NOTE FOR EXPANDABLE ENDWALL RIGID FRAMES: IF FLANGE BRACING IS REQUIRED ON BOTH SIDES OF AN EXPANDABLE ENDFRAME, THE OPPOSITE SIDE FLANGE BRACE WILL HAVE TO BE INSTALLED AT THE TIME OF EXPANSION. THESE FLANGE BRACES HAVE BEEN PROVIDED, AS REQUIRED, FOR THIS FUTURE CONDITION.
  - IF NS/FS FLANGE BRACING IS NOT INDICATED, ONLY ONE FLANGE BRACE IS REQUIRED AND CAN BE LOCATED ON EITHER SIDE OF THE FRAME.
  - "\*" INDICATES THE LONG SIDE OF THE INTERIOR COLUMNS. IF THE INTERIOR COLUMNS ARE REQUIRED, ORIENT AND ERECT THOSE COLUMNS ACCORDINGLY.
- NOTE: COLUMNS LOCATED AT THE RIDGE ARE TYPICALLY "FLAT-TOP" COLUMNS, UNLESS INDICATED BY THE "\*" SYMBOL.
- 6) RIGID FRAMES SHALL HAVE 50% OF THEIR BOLTS INSTALLED AND TIGHTENED ON BOTH SIDES OF THE WEB ADJACENT TO EACH FLANGE BEFORE THE HOISTING EQUIPMENT IS RELEASED.

**BOLT SCHEDULE**

CON ID	BOLT QTY	BOLT DESCRIPTION	BOLT PART#	NUT PART#
2	8	BOLT/NUT 5/8" x 2 1/4" A325	H0810	H0310
7	8	BOLT/NUT 5/8" x 2 1/4" A325	H0810	H0310
8	8	BOLT/NUT 3/4" x 2 3/4" A325	H0830	H0320
9	8	BOLT/NUT 3/4" x 2 3/4" A325	H0830	H0320
10	8	BOLT/NUT 5/8" x 2 1/4" A325	H0810	H0310

**NUCOR BUILDING SYSTEMS**  
 PO BOX 1006, 200 WHEISTONE RD.  
 SWANSEA, SC 29160  
 PHONE: (803) 568-2100  
 FAX: (803) 568-2121

PROJECT NAME: OLYMPIC STEEL  
 SUMTER, SC  
 CUSTOMER: THOMPSON TURNER CONSTRUCTION CO.  
 SUMTER, SC

JOB NUMBER: S08A0248A  
 SHEET NO: E17 of 48

DATE: 5/23/08  
 DATE: 5/23/08  
 DATE: 5/23/08  
 DATE: 8/20/08

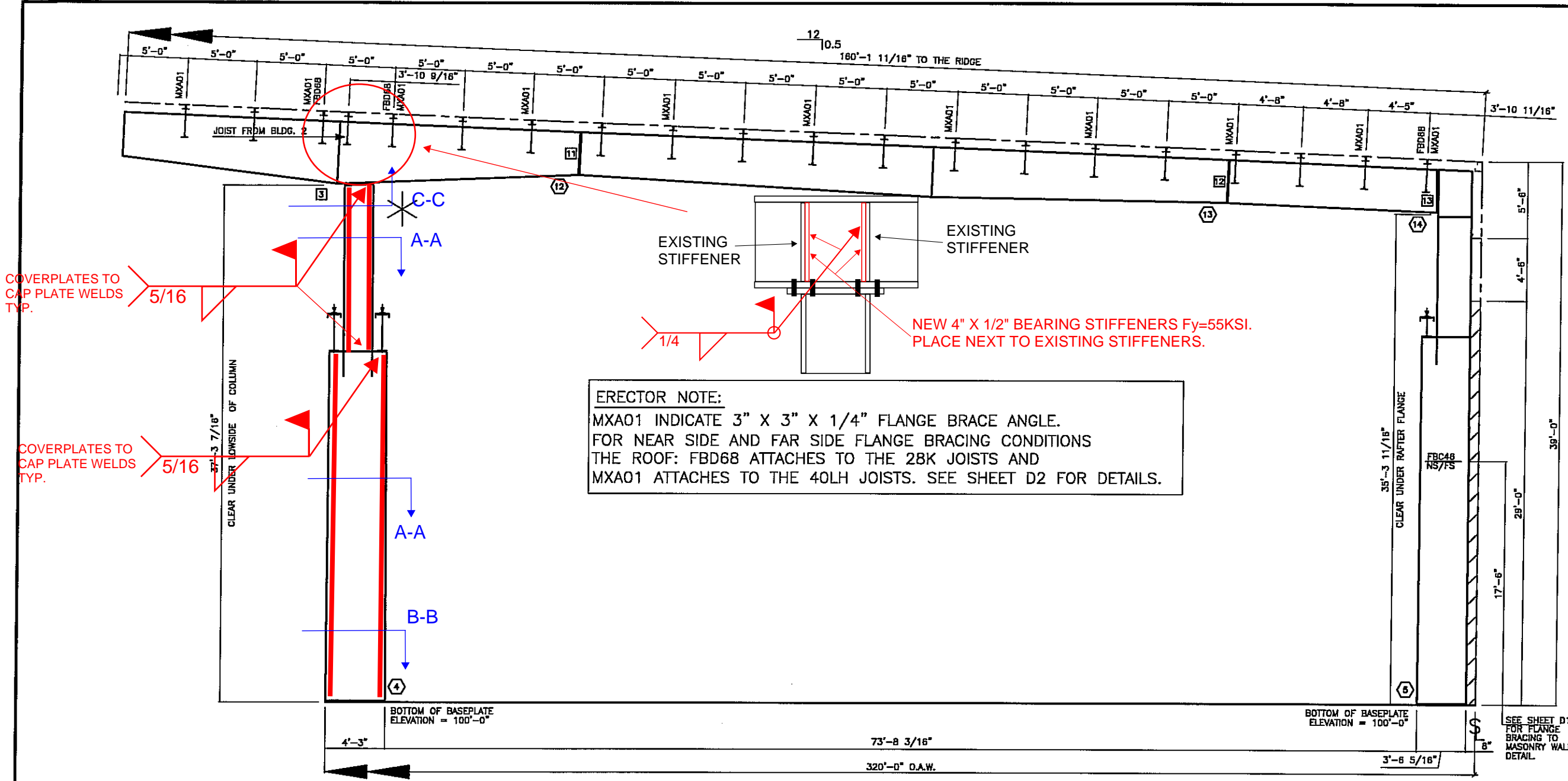
PERMITS: APPROVALS  
 CRANE CONFIRMATIONS  
 FINAL ERECTION

ISSUE: DATE: 5/23/08

CHK: ENG: JET  
 DRN: JH/MS: NDD  
 JH/MS: NDD  
 JH/MS: NDD  
 DB/MS/BL/AL: JVA

THIS SEAL PERTAINS ONLY TO THE MATERIALS DESIGNED AND SUPPLIED BY NUCOR BUILDING SYSTEMS, A DIVISION OF NUCOR CORPORATION. THE DRAWINGS AND THE METAL BUILDING WHICH THEY REPRESENT ARE THE PRODUCT OF NUCOR BUILDING SYSTEMS. THE REGISTERED PROFESSIONAL ENGINEER WHOSE SEAL APPEARS ON THESE DRAWINGS IS EMPLOYED BY NUCOR BUILDING SYSTEMS AND DOES NOT SERVE AS OR REPRESENT THE PROJECT ENGINEER OF RECORD AND SHALL NOT BE CONSTRUED AS SUCH.





**ERECTOR NOTE:**  
 MxA01 INDICATE 3" X 3" X 1/4" FLANGE BRACE ANGLE.  
 FOR NEAR SIDE AND FAR SIDE FLANGE BRACING CONDITIONS  
 THE ROOF: FBD68 ATTACHES TO THE 28K JOISTS AND  
 MxA01 ATTACHES TO THE 40LH JOISTS. SEE SHEET D2 FOR DETAILS.

**CROSS SECTION @ LINES 5 & 8**

PER EWO- OLYMPIC STEEL  
 JOB #: S20A0480A  
 DATE: 6/17/2020

FOR CONSTRUCTION  
 THIS IS NOT AN APPROVAL SET.

AUG 20 2008

YOUR BUILDING IS BEING FABRICATED.  
 NO CHANGES CAN BE MADE.

MEMBER ID	LOW PLATE		HIGH PLATE		OUTSIDE FLANGE		INSIDE FLANGE		MEMBER WEB							
	WIDTH	THICK	WIDTH	THICK	WIDTH	THICK	WIDTH	THICK	DEPTH1	THICK	LENGTH	DEPTH2				
12	8.00	0.50	8.00	0.50	8.00	0.38	394.94	8.00	0.50	398.25	37.00	0.38	207.25	53.50		
													53.50	0.38	187.89	38.00
13	8.00	0.38	8.00	0.50	8.00	0.38	551.13	8.00	0.25	252.08	37.00	0.25	252.00	43.00		
													43.00	0.28	289.19	37.00
14	8.00	0.75	8.00	0.38	8.00	0.38	178.75	8.00	0.38	180.31	37.00	0.31	178.75	37.00		
4	12.00	1.00	12.00	0.50	12.00	1.00	301.88	12.00	1.00	310.63	48.00	0.25	271.88	49.00		
													48.00	0.25	30.00	24.50
													24.50	0.19	143.00	24.50
5	12.00	1.00	12.00	0.63	12.00	0.50	459.00	12.00	0.83	318.88	41.19	0.25	287.13	41.19		
													41.19	0.25	30.00	28.63
													28.63	0.22	102.38	28.63
													28.63	0.28	39.50	28.63

**NOTES:**

- FOR COLUMN AND RAFTER MARK NUMBERS, SEE SHEETS E7-EB (MARK NUMBER PLAN).
  - FBC\_\_\_ INDICATES FLANGE BRACING LOCATIONS. FBD\_\_\_ INDICATES FLANGE BRACING LOCATIONS ON JOIST ROOFS.
  - NS/FS INDICATES THAT FLANGE BRACING IS REQUIRED ON BOTH SIDES OF THE FRAME LINE. NOTE FOR EXPANDABLE ENDWALL RIGID FRAMES: IF FLANGE BRACING IS REQUIRED ON BOTH SIDES OF AN EXPANDABLE ENDFRAME, THE OPPOSITE SIDE FLANGE BRACE WILL HAVE TO BE INSTALLED AT THE TIME OF EXPANSION. THESE FLANGE BRACES HAVE BEEN PROVIDED, AS REQUIRED, FOR THIS FUTURE CONDITION.
  - IF NS/FS FLANGE BRACING IS NOT INDICATED, ONLY ONE FLANGE BRACE IS REQUIRED AND CAN BE LOCATED ON EITHER SIDE OF THE FRAME.
  - "\*" INDICATES THE LONG SIDE OF THE INTERIOR COLUMNS. IF THE INTERIOR COLUMNS ARE REQUIRED, ORIENT AND ERECT THOSE COLUMNS ACCORDINGLY.
- NOTE: COLUMNS LOCATED AT THE RIDGE ARE TYPICALLY "FLAT-TOP" COLUMNS, UNLESS INDICATED BY THE "\*" SYMBOL.
- 6) RIGID FRAMES SHALL HAVE 50% OF THEIR BOLTS INSTALLED AND TIGHTENED ON BOTH SIDES OF THE WEB ADJACENT TO EACH FLANGE BEFORE THE HOISTING EQUIPMENT IS RELEASED.

**BOLT SCHEDULE**

MEMBER ID	BOLT QTY	BOLT DESCRIPTION	BOLT PART#	NUT PART#
3	8	BOLT/NUT 1" x 3 1/4" A325	H0640	H0330
11	8	BOLT/NUT 3/4" x 2 3/4" A325	H0630	H0320
12	8	BOLT/NUT 5/8" x 2 1/4" A325	H0810	H0310
13	8	BOLT/NUT 1" x 3 1/4" A325	H0640	H0330

DATE	ISSUE	CHK	ENG	P.E.
5/23/08	PERMITS	JH/MS	NDD	JET
5/23/08	APPROVALS	JH/MS	NDD	JET
5/23/08	CRANE CONFIRMATIONS	JH/MS	NDD	JET
8/20/08	FINAL ERECTION	DB/MS/BL/JL	JCA	

**NUCOR BUILDING SYSTEMS**  
 PO BOX 1006, 200 WHEISTONE RD.  
 SWANSEA, SC 29160  
 PHONE: (803) 568-2100  
 FAX: (803) 568-2121

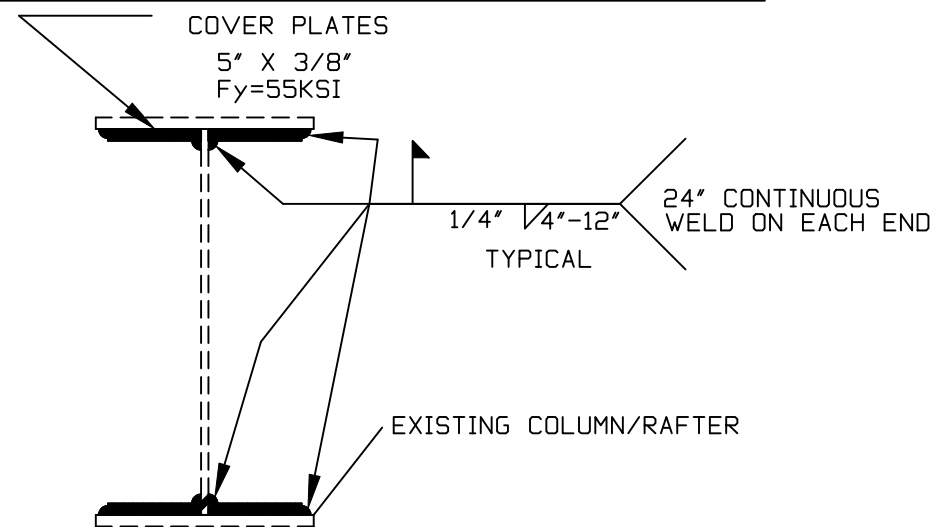
PROJECT NAME: OLYMPIC STEEL  
 SUMTER, SC  
 CUSTOMER: THOMPSON TURNER CONSTRUCTION CO.  
 SUMTER, SC

JOB NUMBER: S08A0248A

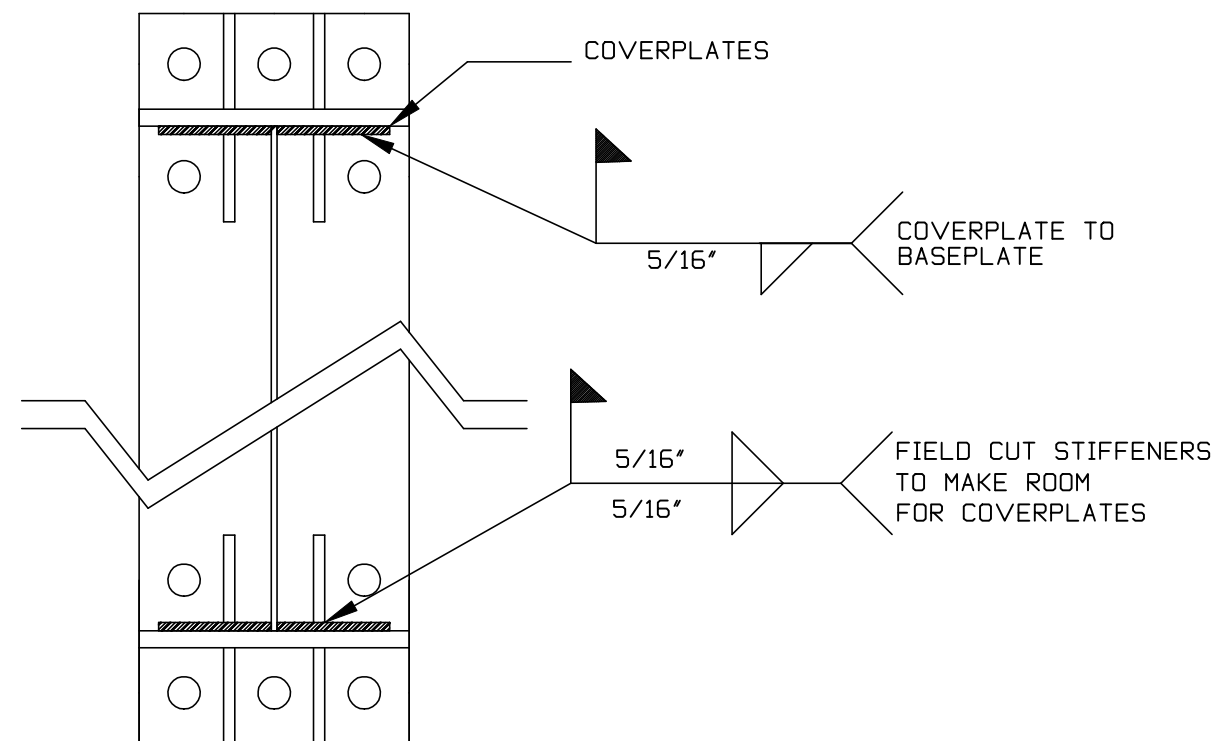
SHEET NO: E18 of 48

THIS SEAL PERTAINS ONLY TO THE MATERIALS DESIGNED AND SUPPLIED BY NUCOR BUILDING SYSTEMS, A DIVISION OF NUCOR CORPORATION. THE DRAWINGS AND THE METAL BUILDING WHICH THEY REPRESENT ARE THE PRODUCT OF NUCOR BUILDING SYSTEMS. THE REGISTERED PROFESSIONAL ENGINEER WHOSE SEAL APPEARS ON THESE DRAWINGS IS EMPLOYED BY NUCOR BUILDING SYSTEMS AND DOES NOT SERVE AS OR REPRESENT THE PROJECT ENGINEER OF RECORD AND SHALL NOT BE CONSTRUED AS SUCH.

STEEL LINE

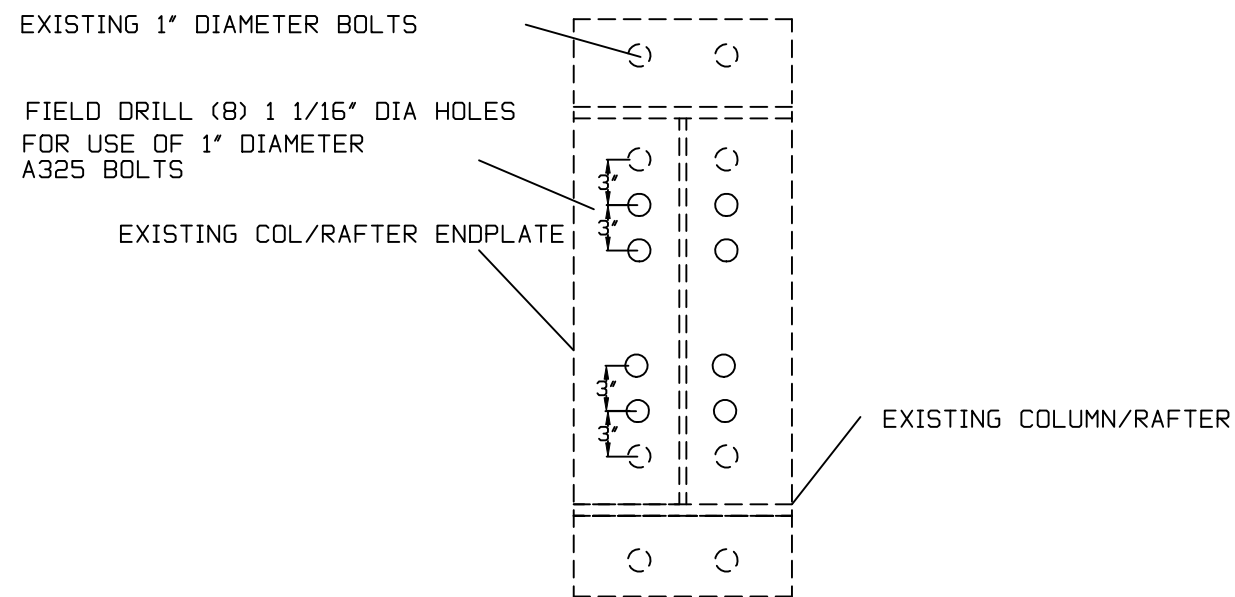


SECTION A-A  
FRAME COLUMN/RAFTER



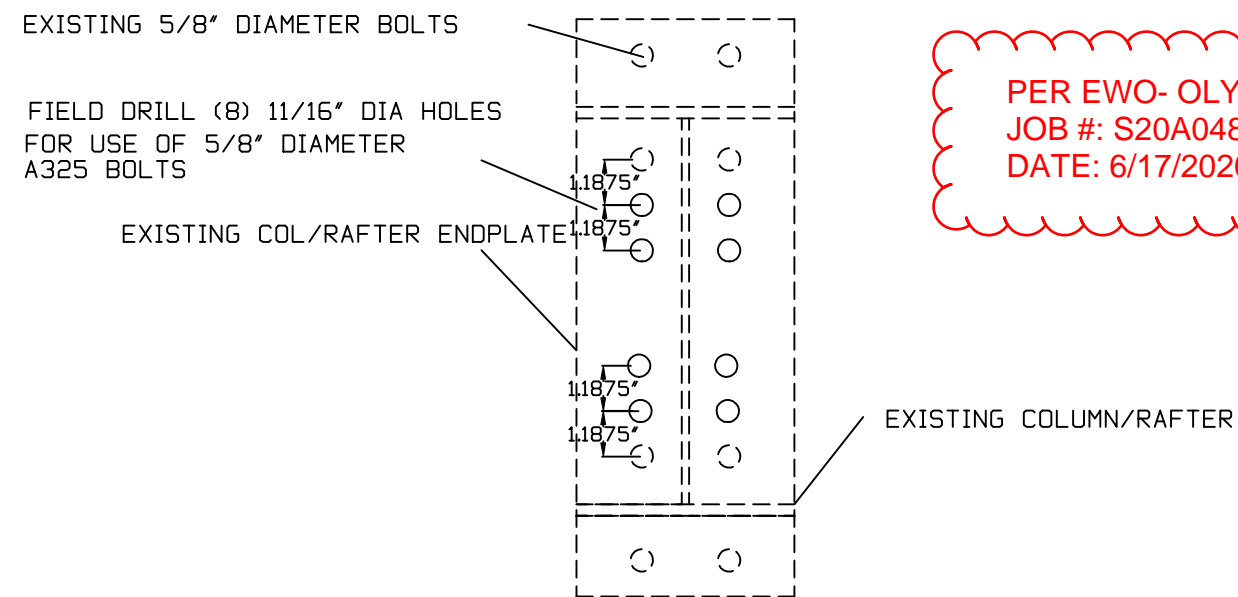
SECTION B-B  
FRAME COLUMN BASE PLATE

STEEL LINE



SECTION C-C  
FRAME RAFTER TO COL/RAFTER CONNECTION  
NEW BOLTS

STEEL LINE



SECTION D-D  
FRAME RAFTER TO COL/RAFTER CONNECTION  
NEW BOLTS

PER EWO- OLYMPIC STEEL  
JOB #: S20A0480A  
DATE: 6/17/2020